

**Your Partner for seagoing
Vessels and Offshore**



We at WISKA

95 years experience as shipbuilding and industrial supplier makes us your partner when it comes to installation materials, lighting and camera surveillance. From cable glands and junction boxes, to searchlights, floodlights and reefer container sockets to CCTV camera systems, we offer you innovative products of highest quality.

Content

Company	4
Maritime Lighting	7
Searchlights	8
Multi-Purpose Luminaires	10
Incandescent Lights	12
Floodlights	13
Work Lights	16
Navigation & Signal Lights	16
Ex-proof Lights / Ex-proof Installation Material	18
Internal Lights	22
Electrical Installation	25
Brass	26
Aluminium	32
Non-metallic	33
Stainless Steel	36
VARITAIN Reefer Container Sockets	37
VARITAIN PushIn	38
PushIn Mobile Splitter	40
SPRINT Cable Glands	43
CCTV Maritime Camera Surveillance	47
Digital CCTV Solutions	48



Please note that product content appears in reduced presentation.
For full details please visit www.wiska.com or contact our sales team.

WISKA – A success story



- 1919** Wilhelm Hoppmann and Hermann Mulsow produce ship installation material made of brass in their own foundry in Hamburg
- 1925** The first cable gland made of thermoset (ISOSTABIL)
- 1954** Peter Hoppmann takes over the business and in 1961 the Mulsow family leaves the company
- 1969** Relocation to Kaltenkirchen
- 1994** Market introduction of the first multiple reefer container socket
- 2000** Ronald and Tanja Hoppmann take over the management

- 2000** Foundation of WISKA UK Ltd.
- 2003** Foundation of WISKA CCTV GmbH
- 2007** Introduction of the world's first breathable cable gland VentGLAND®
- 2008** New logistics centre
- 2008** Introduction of SAP ERP software
- 2009** Foundation of WISKA India Pvt. Ltd.
- 2010** New premises for sales and product management
- 2010** New testing laboratory

- 2010** Extension of the maritime lighting range as a "single source"
- 2011** Foundation of WISKA Systems Ibérica, S. L.
- 2013** Foundation of WISKA America SRL in Asunción, Paraguay and WISKA Electric Systems (Shanghai) Co., Ltd., China
- 2014** 25 years of WISKA SPRINT cable gland system
- 2014** Expansion of the Kaltenkirchen site by the new logistics and assembly centre



We at WISKA

WISKA is your single source expert for maritime lighting and electrical equipment, as well as CCTV camera systems for industry and shipbuilding. Founded in 1919 in Hamburg, the family company now employs 220 people worldwide, including 190 in Germany. Our employees are our main asset. Whether technician,

engineer, craftsman or merchant, their technical know-how, initiative and innovative ideas are our recipe for success. They develop customised quality products for the shipping and offshore industries, transport technology, food industry, mechanical engineering, building services and energy sectors, among others.

Quality

Customer Service

Reliability

Flexibility

Innovation



Know-how "Made in Germany"

WISKA applies the highest quality standards. This is ensured by the professional competence of our employees, a thorough material selection, optimised production and logistic processes, strict testing procedures and the constant striving for becoming even better. In Kaltenkirchen, WISKA is equipped with the most modern manufacturing facilities and an own comprehensive research and development expertise. Major investments have also been made in the expansion of the site in Kaltenkirchen to include, amongst other things, plastic manufacturing

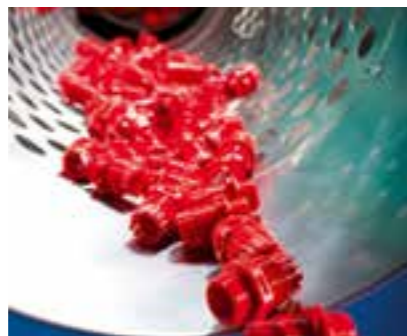
and a logistics and assembly centre. Considerable investments have taken place in a new testing laboratory, plastic production, a logistics centre and a lighting assembly.

WISKA has certified its quality management system according to ISO 9001:2008.

Sustainability

A sense of responsibility towards future generations is an important part of WISKA's corporate philosophy. The use of resource-saving material,

a closed cooling circuit and a power and office light management are just a few examples of our efforts of sustainability. Furthermore, in Kaltenkirchen, WISKA is equipped with a solar thermal plant to generate hot water. WISKA is certified according to the international environmental management standard ISO 14001:2009.



Maritime Lighting

For international shipping we offer high-performance searchlights, floodlights, external and internal lighting and explosion-proof products. Our lighting portfolio meets the comprehensive requirements for vessels.



Searchlight with xenon lamps

Protection class: IP 56
Material: Casing stainless steel with glass reflector
Operation area: Suitable for all kinds of seagoing vessels including navigation in ice conditions
Variations: Remote focus

Type	Power (W)	Range (m)	Weight (kg)
SX 450/1000	1,000	8,000	30.0
SX 450/1600	1,600	8,600	30.5
SX 450/2000	2,000	9,600	30.5



Searchlight with metal halide lamps

Protection class: IP 56
Material: Casing stainless steel with glass reflector
Operation area: Suitable for all kinds of seagoing vessels including navigation in ice conditions

Type	Power (W)	Range (m)	Weight (kg)
SH 450/1200	1,200	4,100	38.5
SH 400/575	575	3,460	25.5
SH 300/575	575	2,280	12.0



Searchlight for halogen lamps

Protection class: IP 56
Material: Casing stainless steel with glass reflector
Operation area: Suitable for all kinds of seagoing vessels
Variations: Aluminium parabolic mirror

Type	Power (W)	Range (m)	Weight (kg)
SW 450/2000	2,000	1,730	25.5
SW 400/1000	1,000	1,250	23.5
SW 300/250	250	1,140	10.0
SW 300/500	500	840	10.0
SW 300/650	650	890	10.0
SW 300/1000	1,000	1,000	10.0
SW 200/250	250	850	3.0



Power supply unit for searchlights

Protection class: IP 23 / 56
Material: Casing stainless steel
Operation area: Suitable for all kinds of seagoing vessels
Variations: Different voltages

Type	Power (W)	Voltage (V)	Weight (kg)	Remarks
PSUX	1,000 - 1,600	230	60	Xenon searchlight
PSUX-E	1,000 - 2,000	180 - 265	30	Xenon searchlight
PSUH	575 / 1,200	230	15	Metal halide searchlight



Mounting device for manual operation

Material: Stainless steel / aluminium
Operation area: Suitable for WISKA searchlights

Type	Mounting	Weight (kg)
D300	Deck	1.9
D400/450	Deck	8.2
DP300	Deck pedestal	9.3
DP400/450	Deck pedestal	18.5
C300	Cabin control	3.9
C400/450	Cabin control	10.8
CP300	Cabin control with pedestal	15.0
CP400/450	Cabin control with pedestal	21.5



Pan & tilt unit & control device for electric operation

Protection class: IP 56 / IP 23 (control device)
Operation area: Suitable for WISKA searchlights
Variations: Recessed and surface remote control devices

Type	Voltage (V)	Weight (kg)	Remark
FL20	24 / 230	13.6	For small / medium searchlight
FL51	230	29.8	For large searchlight



Suez Canal searchlight with metal halide lamps

Protection class: IP 56 / IP 68
Material: Casing stainless steel
Operation area: Suitable for all kinds of seagoing vessels, both below and above 30,000 GT, approved by Suez Canal Authority

Type	Power (W)	Range (m)	Weight (kg)
SKS 575	575	3,200	42.5



Daylight signalling searchlight with halogen lamps

Protection class: IP 56
Material: Casing polyester
Operation area: Suitable for all kinds of seagoing vessels acc. to SOLAS requirements

Type	Power (W)	Range (m) day/night	Weight (kg)	Remarks
HML-ISO 35 B	30	3,400 / 21,400	9.5	Packed in bag
HML-ISO 35 C	30	3,400 / 21,400	12.3	Packed in case



LED Multi-purpose luminaire
Protection class: IP 67 / 68
Material: Polycarbonate
Operation area: Engine room, cargo hold, weather exposed areas
Variations: 110 - 230 V, battery back-up, arctic range, light colour, power connection method

Type	Power (W)	Lampholder	Weight (kg)
4000 1x13	1x13	Module	0.4
4000 1x26	1x26	Module	0.8



LED Multi-purpose luminaire
Protection class: IP 67 / 68
Material: Polycarbonate
Operation area: Engine room, cargo hold, weather exposed areas
Variations: 110 - 230 V, battery back-up, arctic range, light colour, power connection method

Type	Power (W)	Lampholder	Weight (kg)
4000 2x13	2x13	Module	1.2
4000 2x26	2x26	Module	1.6



LED Multi-purpose luminaire
Protection class: IP 67 / 68
Material: Polycarbonate
Operation area: Engine room, cargo hold, weather exposed areas
Variations: 110 - 230 V, battery back-up, arctic range, light colour, power connection method

Type	Power (W)	Lampholder	Weight (kg)
4000 2x13	2x13	Module	1.2
4000 4x13	4x13	Module	2
4000 2x26	2x26	Module	2



Multi-purpose luminaire
Protection class: IP 67
Material: Casing steel / stainless steel, diffuser polycarbonate
Operation area: Engine room, workshop, store, cargo hold, weather exposed areas
Variations: 100 - 230 V, 50 or 60 Hz

Type	Power (W)	Lampholder	Weight (kg)
MPL 1x18	1x18	G13	2.7
MPL 2x18	2x18	G13	3.7
MPL 1x36	1x36	G13	3.9
MPL 2x36	2x36	G13	5.5



LED Multi-purpose luminaire
Protection class: IP 67
Material: Casing steel / stainless steel, diffuser polycarbonate
Operation area: Cold room
Variations: 100 - 230 V, 50 or 60 Hz

Type	Power (W)	Lampholder	Weight (kg)
MPL-LED 1x30	2x11	Module	4.2



Multi-purpose luminaire
Protection class: IP 55
Material: Casing and diffuser polycarbonate
Operation area: Indoor and outdoor areas
Variations: 100 - 230 V, 50 or 60 Hz

Type	Power (W)	Lampholder	Weight (kg)
MPL-P 1x18	1x18	G13	1.8
MPL-P 2x18	2x18	G13	2.3
MPL-P 1x36	1x36	G13	2.7
MPL-P 2x36	2x36	G13	4.2



Outside wall light
Protection class: IP 67
Material: Casing stainless steel, diffuser polycarbonate opal
Operation area: Outside areas
Variations: 220 / 230 V, 50 / 60 Hz, B15d emergency lampholder

Type	Power (W)	Lampholder	Weight (kg)
S98 1x18	1x18	G24s-2	1.8
S98 1x26	1x26	G24d-3	2.0



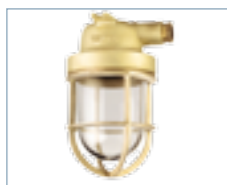
Multi-purpose light
Protection class: IP 68
Material: Casing PBT, globe polycarbonate
Operation area: Indoor and outdoor
Variations: Globe in various colours, electronic flash

Type	Voltage (V)	Lampholder	Weight (kg)	Remarks
2000-13	220 / 230	G24 d-1/2	0.9	13 W / 18 W
2000-18	220 - 240	G24 q-1/2	0.7	13 W / 18 W
2000-13	12 / 24	G24 q-1/2	0.7	13 W / 18 W
2000/B	12 / 24 / 220 / 230	-	0.6	-
2000/E27	230	E27	0.6	max. 75 W



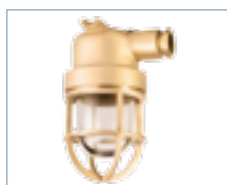
HNA standard light
Protection class: IP 56
Material: Casing brass, globe polycarbonate
Operation area: Indoor and outdoor
Variations: Globe in various colours, options of cable glands

Type	Power (W)	Lampholder	Weight (kg)
1131/CR/1974	max. 60	E27	0.7
1131/CR/1975	max. 60	B22	0.7



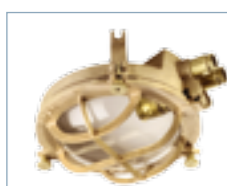
HNA standard light
Protection class: IP 56
Material: Casing brass, globe glass
Operation area: Indoor and outdoor
Variations: Globe in various colours, options of cable glands

Type	Power (W)	Lampholder	Weight (kg)
1131/gK/1974	max. 100	E27	1.3
1131/gK/1975	max. 100	B22	1.3



HNA standard light
Protection class: IP 56
Material: Casing brass, globe glass
Operation area: Indoor and outdoor
Variations: Globe in various colours, options of cable glands

Type	Power (W)	Lampholder	Weight (kg)
1017/gK/1984	max. 25	E14	0.7
1017/gK/1985	max. 25	B15d	0.7



Flat ceiling light
Protection class: IP 56
Material: Casing brass, globe glass
Operation area: Indoor and outdoor

Type	Power (W)	Lampholder	Weight (kg)
1026/1974	max. 100	E27	4.9
1026/1975	max. 100	B22	4.9



Lower deck light
Protection class: IP 56
Material: Casing brass, globe glass
Operation area: Lower deck
Variations: Options of cable glands, globe in various colours

Type	Power (W)	Lampholder	Weight (kg)
1031/1974	max. 100	E27	1.5
1031/1975	max. 100	B22	1.5



Floodlight brass for halogen lamps
Protection class: IP 56
Material: Casing brass, bracket stainless steel
Operation area: Weather deck, cargo hold

Type	Power (W)	Lampholder	Weight (kg)	Remarks
MS500/24	max. 2x100	2xG6,35	6.0	24 V
MS500	max. 500	R7s	6.0	230 V
MS1000	max. 1,000	R7s	13.0	230 V



Floodlight brass for halogen and HPS lamps
Protection class: IP 68
Material: Casing brass, bracket stainless steel
Operation area: Floating dock, cargo hold

Type	Power (W)	Lampholder	Weight (kg)	Remarks
DoS400	max. 1,000	E40	15.4	Halogen lamp
DoS400/ZG	max. 400	E40	15.5	HPS lamp



Floodlight aluminium for halogen lamps
Protection class: IP 66
Material: Aluminium
Operation area: Weatherdeck, cargo hold, engine room

Type	Power (W)	Lampholder	Weight (kg)
WAL1000	max. 1,000	R7s	4.3



Floodlight aluminium for HPS lamps
Protection class: IP 66
Material: Aluminium
Operation area: Weatherdeck, cargo hold, engine room

Type	Power (W)	Lampholder	Weight (kg)
WAL 400	max. 400	E40	19.3



Swivelling floodlight brass
Protection class: IP 56
Material: Casing and bracket brass
Operation area: Weather exposed areas

Type	Power (W)	Lampholder	Weight (kg)	Remarks
1500/1974	max. 100	E27	4.2	Incandescent lamp
1500/1975	max. 100	B22	4.2	Incandescent lamp



Cargo cluster light
Protection class: IP 21
Material: Steel / brass
Operation area: Technical area, cargo hold

Type	Power (W)	Lampholder	Weight (kg)
1022/5/1953	max. 5x100	5xE27	3.4
1022/5/1956	max. 5x100	5xB22	3.4



Floodlight stainless steel for halogen lamps
Protection class: IP 67
Material: Casing stainless steel
Operation area: Engine room, cargo hold, weather exposed areas

Type	Power (W)	Lampholder	Weight (kg)
ES-HA 1x200	max. 200	R7s	3.7



Floodlight stainless steel for halogen lamps
Protection class: IP 67
Material: Casing stainless steel
Operation area: Engine room, cargo hold, weather exposed areas

Type	Power (W)	Lampholder	Weight (kg)
ES-HA 1x500	max. 500	R7s	5.5



Floodlight stainless steel for halogen lamps
Protection class: IP 67
Material: Casing stainless steel
Operation area: Engine room, cargo hold, weather exposed areas

Type	Power (W)	Lampholder	Weight (kg)	Remarks
ES-HA 1x1000 NB	max. 1,000	R7s	6.8	Narrow beam
ES-HA 1x1000 WB	max. 1,000	R7s	6.8	Wide beam



Floodlight stainless steel for MH lamps
Protection class: IP 67
Material: Casing stainless steel
Operation area: Engine room, cargo hold, weather exposed areas, lashing bridge

Type	Power (W)	Lampholder	Weight (kg)	Remarks
ES-DL-PU-1x70	1x70	R7sX	5	Integrated ballast unit



Floodlight stainless steel for HPS / MH lamps
Protection class: IP 67
Material: Casing stainless steel
Operation area: Engine room, cargo hold, weather exposed areas

Type	Power (W)	Lampholder	Weight (kg)	Remarks
ES-DL 1x400 NB	max. 400	E40	7.3	Narrow beam
ES-DL 1x400 WB	max. 400	E40	7.3	Wide beam



Floodlight stainless steel for HPS / MH lamps
Protection class: IP 67
Material: Casing stainless steel
Operation area: Engine room, cargo hold, weather exposed areas

Type	Power (W)	Lampholder	Weight (kg)	Remarks
ES-DL 2x400 NB	max. 2x400	E40	14.0	Narrow beam
ES-DL 2x400 WB	max. 2x400	E40	14.0	Wide beam



Floodlight stainless steel for HPS / MH lamps
Protection class: IP 67
Material: Casing stainless steel
Operation area: Engine room, cargo hold, weather exposed areas

Type	Power (W)	Lampholder	Weight (kg)	Remarks
ES-DL 1x1000 NB	max. 1,000	E40	12.2	Narrow beam
ES-DL 1x1000 WB	max. 1,000	E40	12.2	Wide beam



Floodlight stainless steel for HPS / MH lamps with incorporated ballast
Protection class: IP 67
Material: Casing stainless steel
Operation area: Engine room, cargo hold, weather exposed areas
Variations: 100 · 230 V, 50 or 60 Hz

Type	Power (W)	Lampholder	Weight (kg)	Remarks
ES-DL-PU-1x250 NB	max. 250	E40	18.8	Narrow beam
ES-DL-PU-1x250 WB	max. 250	E40	18.8	Wide beam
ES-DL-PU-1x400 NB	max. 400	E40	20.0	Narrow beam
ES-DL-PU-1x400 WB	max. 400	E40	20.0	Wide beam



Watertight ballast unit for HPS / MH floodlights
Protection class: IP 67
Material: Casing stainless steel
Operation area: Engine room, cargo hold, weather exposed areas
Variations: 100 · 230 V, 50 or 60 Hz

Type	Power (W)	Weight (kg)	Remarks
ES-PU 1x250	max. 250	10.6	50 or 60 Hz
ES-PU 1x400	max. 400	10.8	50 or 60 Hz
ES-PU 2x250	max. 2x250	18.8	50 or 60 Hz
ES-PU 2x400	max. 2x400	18.8	50 or 60 Hz
ES-PU 1x1000	max. 1,000	15.8	50 or 60 Hz



Portable hand lamp

Protection class: IP 56
Material: Casing polycarbonate, globe glass
Operation area: Workshop, engine room
Variations: Coloured glasses

Type	Power (W)	Lampholder	Weight (kg)
533/1/1974	max. 75	E27	0.9
533/1/1975	max. 75	B22	0.9



Navigation light, single tier in compliance with COLREG 1972

Protection class: IP 56
Material: Casing polyamide, screen stainless steel, lense PMMA
Operation area: For vessels > 50 m
Variations: 24, 115 and 230 V

Type	Power (W)	Lampholder	Weight (kg)	Remarks
SSb 760 StB	65	P28s	2.4	Green (112.5 °)
SBb 760 PS	65	P28s	2.4	Red (112.5 °)
T 760 MH	65	P28s	2.4	Clear (225 °)
AS 760 An	65	P28s	2.4	Clear (360 °)
H 760 Stern	65	P28s	2.4	Clear (135 °)
AS 760 SR	65	P28s	2.4	Red (360 °)
AS 760 SG	65	P28s	2.4	Green (360 °)
AM 760 SC	65	P28s	2.4	Clear (360 °)



Navigation light, double tier in compliance with COLREG 1972

Protection class: IP 56
Material: Casing polyamide, screen stainless steel, lense PMMA
Operation area: For vessels > 50 m
Variations: 24, 115 and 230 V

Type	Power (W)	Lampholder	Weight (kg)	Remarks
DSSb 760 StB	2x65	P28s	2.4	Green (112.5 °)
DSBb 760 PS	2x65	P28s	2.4	Red (112.5 °)
DT 760 MH	2x65	P28s	2.4	Clear (225 °)
DAS 760 An	2x65	P28s	2.4	Clear (360 °)
DH 760 Stern	2x65	P28s	2.4	Clear (135 °)
DAS 760 SR	2x65	P28s	2.4	Red (360 °)
DAS 760 SG	2x65	P28s	2.4	Green (360 °)



LED Navigation light, double tier in compliance with COLREG 1972

Protection class: IP 56
Material: Casing polyamide, screen stainless steel, lense PMMA
Operation area: For vessels > 50 m
Variations: 24, 115 and 230 V

Type	Power (W)	Weight (kg)	Remarks
DSSb 780 StB	2x5	2.4	Green (112.5 °)
DSSb 780 PS	2x3	2.4	Red (112.5 °)
DT 780 MH	2x17	2.4	Clear (225 °)
DAS 780 An	2x8	2.4	Clear (360 °)
DH 780 Stern	2x3	2.4	Clear (135 °)
DAS 780 SR	2x6	2.4	Red (360 °)
DAS 780 SG	2x10	2.4	Green (360 °)
AM 780 SC	1x18	2.4	Clear (360 °)



Heliport light

Protection class: IP 67
Material: Casing brass
Operation area: Helicopter landing site, signal and position illumination

Type	Power (W)	Lampholder	Weight (kg)	Remarks
1378/red	25	E27 / B22	2.2	Red globe
1378/blue	25	E27 / B22	2.2	Blue globe
1378/opal	25	E27 / B22	2.2	Opal globe
1378/yellow	25	E27 / B22	2.2	Yellow globe
1378/green	25	E27 / B22	2.2	Green globe



Steering light

Protection class: IP 56
Material: Casing brass
Operation area: Illuminating cross red or blue, distance from bridge > 100 m

Type	Power (W)	Lampholder	Weight (kg)	Remarks
1006/1974/red	25	E27	1.6	Red globe
1006/1975/red	25	B22	1.6	Red globe
1006/1974/blue	25	E27	1.6	Blue globe
1006/1975/blue	25	B22	1.6	Blue globe



Morse light

Protection class: IP 56
Material: Casing brass
Variations: Coulored lenses

Type	Power (W)	Lampholder	Weight (kg)
1009/1953	3x40	E27	4.7
1009/1956	3x40	B22	4.7



LED Signal and flash light

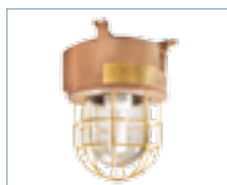
Protection class: IP 67
Material: Casing polypropylene, sealing TPE, diffuser polycarbonate
Operation area: All kinds of signal illumination
Variations: Double flash function

Type	Power (W)	Voltage (V)	Weight (kg)
WER/red	2	12 / 24 / 100 - 230	0.13
WER/green	2	12 / 24 / 100 - 230	0.13
WER/yellow	2	12 / 24 / 100 - 230	0.13
WER/clear	2	12 / 24 / 100 - 230	0.13



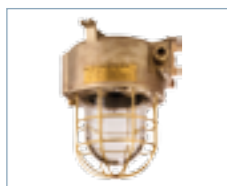
Ex Incandescent light
Protection class: IP 56
Material: Casing brass, globe glass
Certificate: PTB 03 ATEX 2144
Ex-Protection: II 2G EEx ed IIC T4

Type	Power (W)	Lampholder	Weight (kg)	Remarks
505	max. 40	E27	3.0	T3
505	max. 25	E27	3.0	T4



Ex Incandescent light
Protection class: IP 67
Material: Casing brass, globe glass
Certificate: PTB 07 ATEX 1008X
Ex-Protection: IIC 2G Ex d IIC
Variations: E27 or B22 lampholder

Type	Power (W)	Lamp	Weight (kg)	Remarks
3314	max. 23	TC lamp	13.4	T4
3314	max. 80	Mercury vapour lamp	13.4	T4
3314	max. 125	Mercury vapour lamp	13.4	T3
3314	max. 160	Blended lamp	13.4	T3
3314	200	Incandescent lamp	13.4	T4



Ex Incandescent light
Protection class: IP 67
Material: Casing brass, globe glass
Certificate: PTB 07 ATEX 1008X
Ex-Protection: II 2G Ex de IIC
Variations: E27 or B22 lampholder

Type	Power (W)	Lamp	Weight (kg)	Remarks
3312	max. 23	TC lamp	13.4	T4
3312	80	Mercury vapour lamp	13.4	T4
3312	125	Mercury vapour lamp	13.4	T3
3312	160	Blended lamp lamp	13.4	T3
3312	200	Incandescent lamp	13.4	T4



Ex Pendant light
Protection class: IP 66
Material: Light metal
Certificate: PTB 03 ATEX 1096 (6050/1)
 PTB 11 ATEX 1045 (6050/5)
Ex-Protection: II 2 G EEx de IIC T6 (6050/1)
 II 2 G Ex d e opis IIC T6 (6050/5)
Variations: Different light sources (induction lamps / LED)

Type	Power (W)	Lampholder	Weight (kg)
6050/1	max. 200	E27	11.1
6050/5	max. 65	Special	8.9



Ex Compact light
Protection class: IP 67
Material: Casing polyester, diffuser polycarbonate
Certificate: PTB 97 ATEX 2119
Ex-Protection: II 2G EEx eds IIC T4
Variations: 100 - 230 V, 50 or 60 Hz

Type	Power (W)	Lampholder	Weight (kg)
6100/1881	1x8	G5	2.4
6100/1082	2x8	G5	2.5
6100/1083	3x8	G5	2.6



Ex Compact emergency light
Protection class: IP 67
Material: Casing polyester, diffuser polycarbonate
Certificate: PTB 97 ATEX 2161
Ex-Protection: II 2G EEx edm IIC T4
Variations: 100 - 230 V, 50 or 60 Hz

Type	Power (W)	Lampholder	Weight (kg)	Remarks
6108/1081	1x8	G5	3.7	With 3.0 h battery back-up



Ex Fluorescent light
Protection class: IP 66
Material: Casing polyester, diffuser polycarbonate
Certificate: IECEX PTB 13.0003 / PTB 13 ATEX 2004
Ex-Protection: Ex II 2 G Ex d e IIC T4 Gb or Ex db eb IIC T4
Variations: 100 - 230 V, 50 or 60 Hz

Type	Power (W)	Lampholder	Weight (kg)
6001/522	2x18	G13	6.8
6001/542	2x36	G13	9.1



Ex Fluorescent emergency light
Protection class: IP 66
Material: Casing polyester, diffuser polycarbonate
Certificate: IECEX PTB 13.0059 / PTB 13 ATEX 2015
Ex-Protection: Ex II 2 G Ex mb IIC T4 Gb or Ex db eb mb IIC T4
Variations: 100 - 230 V, 50 or 60 Hz

Type	Power (W)	Lampholder	Weight (kg)	Remarks
6009/522	2x18	G13	8.5	With 3.0 h battery back-up
6009/542	2x36	G13	10.5	With 3.0 h battery back-up



Ex Fluorescent light
Protection class: IP 66
Material: Casing Glass-fibre reinforced polyester, diffuser Polycarbonate
Certificate: IECEX BVS 09.0033 / BVS 09 ATEX E 034
Ex-Protection: II 2G Ex de IIC T4 / II 2D Ex tb IIIC T80°C Db
Variations: 110 - 254 V AC, 50 or 60 Hz

Type	Power (W)	Lampholder	Weight (kg)
eLLK 92018/18	2x18	G13	5.2
eLLK 92036/36	2x36	G13	7.4



Ex Linear LED Light fittings

Protection class: IP 66
Material: Casing glass-fibre reinforced polyester, diffuser polycarbonate
Certificate: IECEX BVS 09.0033 / BVS 09 ATEX E 034
Ex-Protection: II 2G Ex de IIC T4 / II 2D Ex tb IIIC T80 °C Db
Variations: 110 · 254 V AC, 50 or 60 Hz

Type	Power (W)	Lampholder	Weight (kg)
eLLK 92 LED 400	LED 2x13	G13 / LED-Module	7.4
eLLK 92 LED 800	LED 2x26	G13 / LED-Module	11.1



Ex Fluorescent light

Protection class: IP 67
Material: Casing stainless steel, diffuser polycarbonate
Certificate: KDB 04 ATEX 339X
Ex-Protection: II 2G Ex ed IIC T5
Variations: 100 · 230 V, 50 / 60 Hz

Type	Power (W)	Lampholder	Weight (kg)
EXP83-2180	2x18	G13	6.1
EXP83-2360	2x36	G13	8.3



Ex Fluorescent light

Protection class: IP 67
Material: Casing aluminium, diffuser borosilicate glass
Certificate: LOM 02 ATEX 2013 X
Ex-Protection: II 2G Ex ed IIC T5
Variations: 100 · 230 V, 50 or 60 Hz, battery back-up / 230 V, 50 / 60 Hz

Type	Power (W)	Lampholder	Weight (kg)
AB 12220	2x18	G13	7.0
AB 12240	2x36	G13	12.0



Ex Floodlight

Protection class: IP 66
Material: Casing aluminium, front glass
Certificate: BVS 09 ATEX E50X
Ex-Protection: II 2G Ex de IIB
Variations: 100 · 230 V, 50 or 60 Hz, wide or narrow beam reflector

Type	Power (W)	Lamp	Weight (kg)	Remarks
PX0460	600	HPS	31.0	T2
PX0440	400	MH	31.0	T4
PX0405	500	Halogen	23.0	T2



Ex Portable lamp with charging unit

Protection class: IP 66
Material: Casing polyamide
Certificate: IBExU 11 ATEX 1066
Ex-Protection: II 2G EEx ib IIC T4

Type	Voltage (V)	Battery	Weight (kg)
6148	110 · 240	6 V / 4.5 Ah	1.83



Ex Hand lamp

Protection class: IP 65
Material: Casing metal coated with rubber, globe glass
Certificate: PTB 02 ATEX 2115
Ex-Protection: II 2G Ex de IIC T4
Variations: Connection lead

Type	Power (W)	Lampholder	Weight (kg)
6147/2	60	E27	2.6



Ex Junction box

Protection class: IP 56
Material: Brass
Certificate: PTB 03 ATEX 1155
Ex-Protection: II 2G EEx e II T6
Variations: Options of cable glands

Type	Cable Gland	Weight (kg)
510/D	-0-	1.2
510/2	0=	1.2
510/3	-0=	1.3
510/4	=0=	1.4



Ex On-off-switch

Protection class: IP 56
Material: Brass
Certificate: PTB 03 ATEX 1157
Ex-Protection: II 2G EEx de IIC T6
Variations: Options of cable glands

Type	Cable Gland	Weight (kg)
14105	-0	1.8
14105/2	=0	1.9
14105/D	-0-	1.9



Ex Cable gland

Protection class: IP 68
Material: Brass nickel-plated
Certificate: PTB 04 ATEX 1112X
Ex-Protection: II 2 G Ex e II, II 2 D Ex tD A21 IP 68

Type	Thread Size (mm)	Thread Length (mm)	Cable Diameter (mm)	Key Width (mm)	Total Length (mm)
EMSKE 12	M12x1.5	5	4 · 7	16	23 · 30
EMSKE 16	M16x1.5	5	5 · 10	20	26 · 34
EMSKE 20	M20x1.5	6	6 · 13	24	29 · 37
EMSKE 25	M25x1.5	7	10 · 17	29	33 · 42
EMSKE 32	M32x1.5	8	13 · 21	36	36 · 44
EMSKE 40	M40x1.5	8	16 · 28	46	44 · 55
EMSKE 50	M50x1.5	9	21 · 35	55	51 · 62
EMSKE 63	M63x1.5	10	34 · 48	68	56 · 67



Ceiling light recessed

Protection class: IP 20 / 44
Material: Casing zinc coated steel, powder coated, diffuser PMMA icocrystal
Operation area: Office, accomodation, passage way
Variations: Electronic ballast, battery back-up

Type	Power (W)	Lampholder	Weight (kg)
R28 2x18	2x18	G13	4.9
R28 2x36	2x36	G13	6.9
R28 LED 2x11	2x11	Module	4.9
R28 LED 4x11	4x11	Module	8.1



Ceiling light recessed

Protection class: IP 20
Material: Casing zinc coated steel, powder coated, diffuser PMMA opal
Operation area: For installation in DAMPA ceiling
Variations: Electronic ballast, battery back-up

Type	Power (W)	Lampholder	Weight (kg)
R95 2x18	2x18	G13	4.9
R95 2x36	2x36	G13	8.1



Cornice light

Protection class: IP 30
Material: Casing zinc coated steel, powder coated, diffuser polycarbonate opal
Operation area: Office, corridor, passage ways
Variations: Electronic ballast, battery back-up

Type	Power (W)	Lampholder	Weight (kg)
C33 1x18	1x18	G13	3.0
C33 2x18	2x18	G13	4.2
C33 1x36	1x36	G13	3.4
C33 2x36	2x36	G13	4.7
C33 LED 1x11	1x11	Module	3.0
C33 LED 2x11	2x11	Module	4.2



Mirror light

Protection class: IP 44
Material: Casing zinc coated steel, powder coated, diffuser polycarbonate opal
Operation area: Cabin, shower room, sanitary facilities
Variations: Electronic ballast, switch, socket, isolating transformer

Type	Power (W)	Lampholder	Weight (kg)
K27 1x15	1x15	G13	3.0
K27 1x18	1x18	G13	4.2
K27 1x26	1x26	G24d2	4.7
K27 LED 1x11	1x11	Module	4.2



Berth light

Protection class: IP 30
Material: Casing zinc coated steel, powder coated, diffuser polycarbonate opal
Operation area: Accomodation area, cabin
Variations: 220 / 230 V, 50 or 60 Hz

Type	Power (W)	Lampholder	Weight (kg)
K41 1x8	1x8	G5	1.6
K41 1x9	1x5 / 7 / 9	G23	0.9
K41 1x11	1x11	G23	1.2
K41 LED 1x6	1x6	Module	1,6



Berth light, recessed

Protection class: IP 20
Material: Casing zinc coated steel, powder coated, diffuser polycarbonate opal
Operation area: Accomodation area, cabin
Variations: 220 / 230 V, 50 or 60 Hz

Type	Power (W)	Lampholder	Weight (kg)
KR4 1x7	1x5 / 7	G23	0.9



Berth light

Protection class: IP 20
Material: Casing polycarbonate, reflector stainless steel
Operation area: Accomodation

Type	Power (W)	Lampholder	Weight (kg)
52000/1982	max. 40	E14	0.5
52000/1983	max. 40	B15d	0.5
52000/1951	max. 40	E27	0.5
52000/1952	max. 40	B22	0.5
52000/1977	max. 7	TC G23	1.1



Selcast PL luminaire

Protection class: IP 67
Material: Casing aluminium, cover polycarbonate
Operation area: Interior, exterior and technical areas
Variations: 24, 115 and 230 V, LED, coloured cover, rescue sign

Type	Power (W)	Lampholder	Weight (kg)
7249400	5, 7, 9	TC G23	0.9

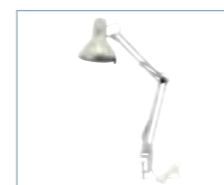


Table light

Protection class: IP 20
Material: Steel
Operation area: Work place

Type	Power (W)	Lampholder	Weight (kg)	Remarks
TKL 40/A	max. 40	E27	2.5	Table clamp
TKL 40/B	max. 40	E27	2.5	Wall bracket
TKL 40/C	max. 40	E27	2.5	Table base

Internal Lights



Table light
Protection class: IP 20
Material: Steel
Operation area: Work place, desk
Variations: Table clamp, wall bracket

Type	Power (W)	Lampholder	Weight (kg)
TKL 18	1x18	G24d-2	3.0



Table light
Protection class: IP 20
Material: Steel
Operation area: Work place

Type	Power (W)	Lampholder	Weight (kg)
SGL 100	max. 100	E27	2.5



Charttable light
Protection class: IP 20
Material: Head aluminium, gooseneck arm PUR sleeving
Operation area: Charttable, workplaces
Variations: Arm length, red lense, 12 or 230 V, dimmer

Type	Power (W)	Lampholder	Weight (kg)
Flex 35	1x35	GY6 / 35	1.2



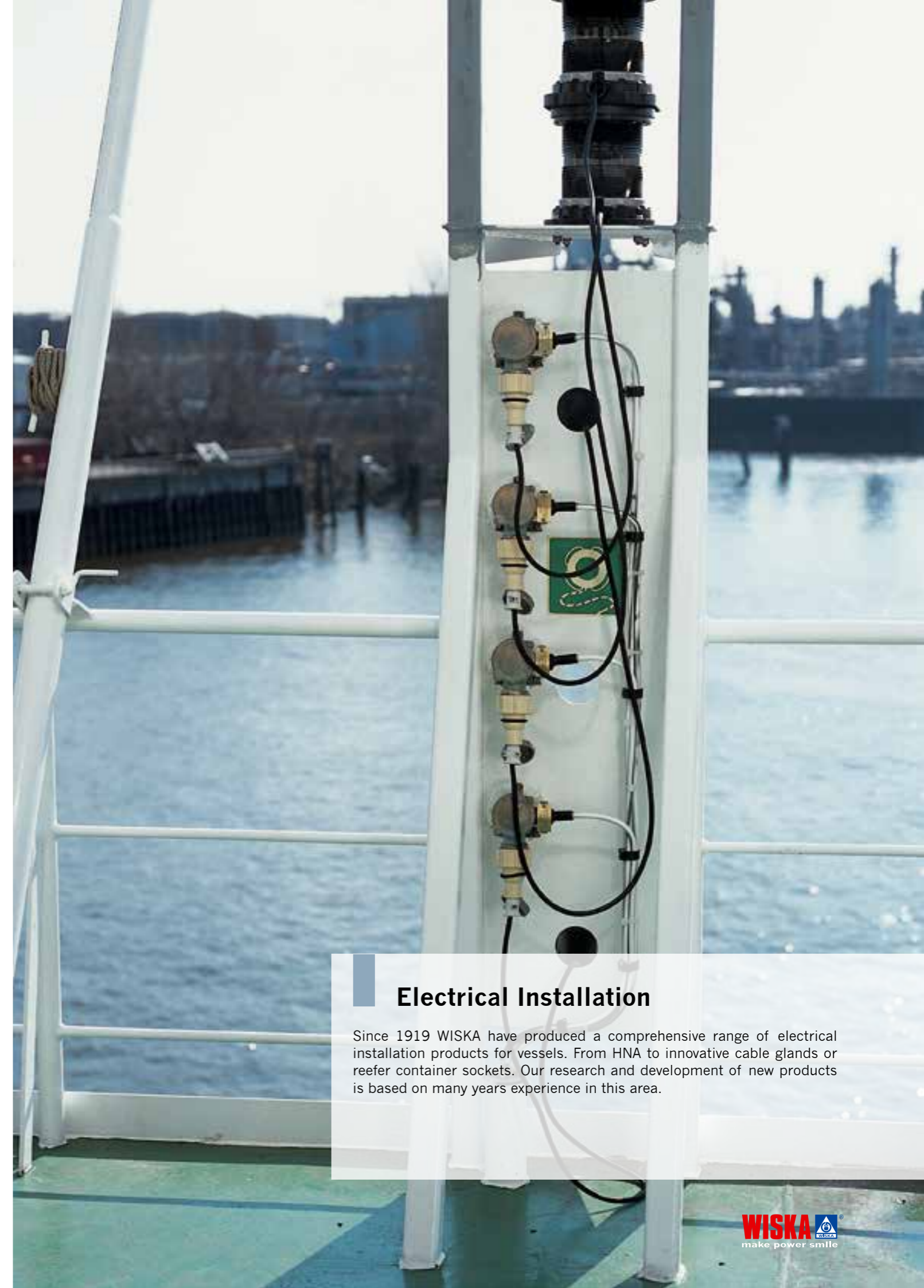
Wall light
Protection class: IP 20
Material: Housing zinc coated steel, diffuser polycarbonate
Operation area: Accomodation, cabin, office
Variations: 100 - 230 V, 50 or 60 Hz

Type	Power (W)	Lampholder	Weight (kg)
WL60	2x10	G24d-1	2
WL60	1x13	G24d-1	1.8
WL60	1x6	E14	1.7



Downlight for TC lamps
Protection class: IP 20 / IP 44
Material: Casing steel, reflector aluminium
Operation area: Accomodation, cabin, office
Variations: Reflector and cover ring in different colours, battery back-up
 100 - 230 V, 50 or 60 Hz

Type	Power (W)	Lampholder	Weight (kg)
DL38 2x7	2x7	G23	1.3
DL38 1x13	1x13	G24-d1	1.3
DL38 1x18	1x18	G24d2	1.3



Electrical Installation

Since 1919 WISKA have produced a comprehensive range of electrical installation products for vessels. From HNA to innovative cable glands or reefer container sockets. Our research and development of new products is based on many years experience in this area.



HNA Junction box
Protection class: IP 56
Material: Brass
Standard: DIN 89250

Type	Voltage (V)	Current (A)	Weight (kg)	Cable Entry
1150	500	16	0.7	0=
1151	500	16	0.6	-0-
1155	500	16	0.9	=0=
1156	500	16	0.8	-0=



Junction box
Protection class: IP 56
Material: Brass
Variations: With cable glands and terminals on request

Type	L x W x H internal (mm)	L x W x H mounting (mm)	Weight (kg)
693	90x90x58	142x112x77	1.5
694	119x99x62	170x145x88	2.9
696	246x196x95	288x255x121	9.5
696/H	232x182x133	288x255x148	9.8
697	340x240x169	413x313x175	18.0
MB-B4	174x174x81	200x188x89	4.7



HNA Switch
Protection class: IP 56
Material: Brass
Standard: DIN 89270
Variations: Change over switch, 1 pole and on-off switch 2-pole, multi-circuit switch, four-way switch, on-off switch, 2-pole, 16 A (not according to standards)

Type	Voltage (V)	Current (A)	Weight (kg)	Cable Entry
1133	250	10	0.8	0-
1133/2	250	10	0.9	0=
1133/D	250	10	0.9	-0-
1133/3	250	10	1.0	-0=



HNA Switch with control light
Protection class: IP 56
Material: Brass
Variations: Change over switch, 1 pole and on-off switch 2-pole, multi-circuit switch, four-way switch, on-off switch, 2-pole, 16 A (not according to standards), control lights green and red

Type	Voltage (V)	Current (A)	Weight (kg)	Cable Entry
1138	250	10	1.0	0=



Rotary on-off and change-over switch
Protection class: IP 56
Material: Brass
Variations: Options of cable glands

Type	Voltage (V AC)	Current (A)	Weight (kg)	Cable Entry	Remarks
2066	380	16	1.7	0-	On-off switch, 2 pole
2067	380	16	1.8	0-	Change-over switch, 2-pole, off-position
2068	380	16	1.8	0-	Change-over switch, 2-pole, without off-position
3066	380	16	1.7	0-	On-off switch, 3-pole
3067	380	16	1.8	0-	Change-over switch, 3-pole, with off-position



Rotary on-off and change-over switch with 3-pole switch
Protection class: IP 56
Material: Brass

Type	Voltage (V AC)	Current (A)	Weight (kg)	Cable Entry	Remarks
40/2/AE	380	40	3.6	0=	Also available for voltage up to 500 V



Push / signal button, 2-pole
Protection class: IP 56
Material: Brass
Variations: AR = 1 closing contact, 1 breaking contact, AA = 2 closing contacts, RR = 2 breaking contacts, black, red and green push buttons and 3rd switching level

Type	Voltage (V AC)	Current (A)	Weight (kg)	Cable Entry
720	230	16	0.9	0-
720/2	230	16	0.9	0=
720/D	230	16	0.9	-0-



Push / signal button with control light, 2-pole
Protection class: IP 56
Material: Brass
Variations: AR = 1 closing contact, 1 breaking contact, AA = 2 closing contacts, RR = 2 breaking contacts, black, red and green push buttons, red and green lights and 3rd switching level

Type	Voltage (V)	Current (A)	Weight (kg)	Cable Entry
721	230 AC	16	1.0	0=
721	24 DC			0=



Emergency-off push button, 2-pole

Protection class: IP 56
Material: Brass
Variations: AR = 1 closing contact, 1 breaking contact (10A), AA = 2 closing contacts, RR = 2 breaking contacts, 3rd switching level

Type	Voltage (V AC)	Current (A)	Weight (kg)	Cable Entry
722	230	16	1.0	0-
722/2	230	16	1.0	0=
722/D	230	16	1.0	-0-



Push and signal button 2- and 3-gang; 1- or 2-pole

Protection class: IP 56
Material: Brass
Variations: AR = 1 closing contact, 1 breaking contact, AA = 2 closing contacts, RR = 2 breaking contacts, black, red and green push buttons and 3rd switching level

Type	Voltage (V AC/DC)	Current (A)	Weight (kg)	Cable Entry
2720	24-500	0.3-6	1.6	0-
2720/D	24-500	0.3-6	1.6	-0-
3720	24-500	0.3-6	2.1	0-
3720/D	24-500	0.3-6	2.1	-0-



Door switch with switch lock, 2-pole

Protection class: IP 56
Material: Brass

Type	Voltage (V AC)	Current (A)	Weight (kg)	Cable Entry
3028	250	10	1.8	0-
3028/2	250	10	1.8	0=
3028/D	250	10	1.8	-0-
3028/4	250	10	1.9	=0=



Morse key with setting device, 2-pole

Protection class: IP 56
Material: Brass

Type	Voltage (V AC)	Current (A)	Weight (kg)	Cable Entry
3010/F	230	6	1.2	0-



HNA-socket, 2-pole +E

Protection class: IP 56
Material: Brass
Standard: DIN 89262
Variations: Screw cap in brass and polyamide, 150 V

Type	Voltage (V AC)	Current (A)	Weight (kg)	Cable Entry
1141	250	16	0.9	-0
1141/R	250	16	0.9	0-
1141/2	250	16	1.1	=0
1141/2/R	250	16	1.1	0=
1141/D	250	16	1.0	-0-



HNA-socket box, 2-pole +E

Protection class: IP 56
Material: Brass
Standard: DIN 89262
Variations: Screw cap in brass and polyamide, 150 V, ../2=2 sockets, ../ 3=3 sockets

Type	Voltage (V AC)	Current (A)	Weight (kg)	Cable Entry
1143/2	250	16	2.5	-0-
1143/3	250	16	2.8	-0-



Socket for testing board, 2-pole +E

Protection class: IP 56
Material: Brass
Variations: Screw cap in brass and polyamide, 150 V

Type	Voltage (V AC)	Current (A)	Weight (kg)
1148	250	16	0.4



Concentric socket, 2-pole

Protection class: IP 56
Material: Brass
Variations: Screw cap in brass and polyamide

Type	Voltage (V DC)	Current (A)	Weight (kg)	Cable Entry
110	50	10	0.8	-0
110/R	50	10	0.8	0-
110/D	50	10	0.9	-0-



Concentric socket box, 2-pole

Protection class: IP 56
Material: Brass
Variations: Screw cap in brass and polyamide

Type	Voltage (V DC)	Current (A)	Weight (kg)	Cable Entry
1147	50	10	2.5	-0-



Concentric socket with central plug-in, 2-pole
Protection class: IP 56
Material: Brass
Variations: Screw cap in brass and polyamide, version DK104 for flush-mounting

Type	Voltage (V DC)	Current (A)	Weight (kg)	Cable Entry
104	50	10	0.8	0-
104/2	50	10	0.9	0=
104/D	50	10	0.9	-0-



HNA-socket with switch, 2-pole
Protection class: IP 56
Material: Brass
Standard: DIN 89263
Variations: Change over switch, 1 pole DIN 89322-6/1 and on-off switch 2-pole DIN 89322, on-off switch, 2-pole, 16 A (not according to standards), 150 V, screw cap in brass and polyamide

Type	Voltage (V AC)	Current (A)	Weight (kg)	Cable Entry
1144	250	10	1.2	-0
1144/R	250	10	1.2	0-
1144/2	250	10	1.3	=0
1144/2/R	250	10	1.3	0=
1144/D	250	10	1.3	-0-



HNA-double socket with switch, 2-pole
Protection class: IP 56
Material: Brass
Variations: Change over switch, 1 pole DIN 89322-6/1 and on-off switch 2-pole DIN 89322, on-off switch, 2-pole, 16 A (not according to standards), 150 V, screw cap in brass and polyamide

Type	Voltage (V AC)	Current (A)	Weight (kg)	Cable Entry
1146	250	10	2.6	-0-



HNA-socket with switch, 2-pole, locking type
Protection class: IP 56
Material: Brass
Variations: On-off switch 2-pole, 150 V, screw cap in brass and polyamide

Type	Voltage (V AC)	Current (A)	Weight (kg)	Cable Entry
1144/V	250	16	1.5	-0
1144/R/V	250	16	1.5	0-
1144/2/V	250	16	1.6	=0
1144/2/R/V	250	16	1.6	0=
1144/D/V	250	16	1.6	-0-



Concentric socket with switch
Protection class: IP 56
Material: Brass
Variations: Change over switch, 1 pole DIN 89322-6/1 and on-off switch 2-pole DIN 89322, screw cap in brass and polyamide

Type	Voltage (V DC)	Current (A)	Weight (kg)	Cable Entry
105	50	10	1.3	-0
105/R	50	10	1.3	0-
105/D	50	10	1.3	-0-



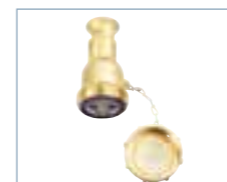
HNA Plug
Protection class: IP 56
Variations: 150 V
Standard: DIN 89267

Type	Voltage (V AC)	Current (A)	Material	Weight (kg)
1142/MS	250	16	Brass	0.6
1142/FS	250	16	Polycarbonate / ABS	0.2



Plug, locking type
Protection class: IP 56
Variations: 150 V

Type	Voltage (V AC)	Current (A)	Material	Weight (kg)
1142/V/MS	250	16	Brass	0.6
1142/V/FS	250	16	Polycarbonate / ABS	0.2



HNA Coupling
Protection class: IP 56
Variations: 150 V
Standard: DIN 89266

Type	Voltage (V AC)	Current (A)	Material	Weight (kg)
1145/MS	250	16	Brass	0.6
1145/FS	250	16	Polycarbonate / ABS	0.2

**Rocker switch**

Material: Aluminium
Variations: Cast aluminium, epoxy powder coated, RAL 7032, change over 1-pole, on-off 2-pole, with signal lamp, special colours on request

Type	IP	Voltage (V)	Current (A)	L x W x H external (mm)	Weight (kg)	Cable Entry
7228451	IP 67	250	16	75x75x45	0.3	0-
7228452	IP 67	250	16	75x75x45	0.3	-0-
7228459	IP 67	250	16	75x75x45	0.3	0=
7228411	IP 44	250	16	75x75x55	0.2	0-
7228412	IP 44	250	16	75x75x55	0.2	-0-
7228419	IP 44	250	16	75x75x55	0.2	0=

**Rotary switch**

Protection class: IP 67
Material: Aluminium
Variations: Cast aluminium, epoxy powder coated, RAL 7032, change over 2-pole, on-off 2-pole, special colours on request

Type	Voltage (V)	Current (A)	L x W x H external (mm)	Weight (kg)	Cable Entry
7228491	250	10	75x75x52	0.3	0-
7228492	250	10	75x75x52	0.3	-0-
7228493	250	10	75x75x52	0.3	0=

**Junction box**

Protection class: IP 67
Material: Aluminium
Variations: Cast aluminium, epoxy powder coated, RAL 7032, additional cable entries and special colours on request

Type	Voltage (V)	L x W x H internal (mm)	L x W x H external (mm)	Weight (kg)	Cable Entry
7219402	500	80	89	0.3	-0-
7219410	500	80	89	0.4	=0=
7219442	400	100	109	0.5	-0-
7219450	400	100	109	0.6	=0=
7219482	690	150	160	1.1	-0-
7219490	690	150	160	1.2	=0=

**Schuko socket**

Protection class: IP 44
Material: Aluminium
Variations: Cast aluminium, epoxy powder coated, RAL 7032, double socket or as locking type, other socket inserts (Nema, Terko, etc.), special colours on request

Type	Voltage (V)	Current (A)	L x W x H external (mm)	Weight (kg)	Cable Entry
7229411	250	16	75x75x59	0.3	0-
7229412	250	16	75x75x59	0.3	-0-
7229419	250	16	75x75x59	0.3	0=

**Rocker switch surface mounting**

Variations: Change over 2-pole, on-off 2-pole, two or three gang version on request

Type	IP	Voltage (V AC)	Current (A)	Material	L x W x H external (mm)	Weight (kg)
PH-RSS-16-1.2-WT	IP 44	250	16	Polycarbonate, grey	72x82x56,5	0.1
PH-RSS-10-1.2-NWT	IP 20	250	10	Thermoset, white	60x63x29,5	0.1

**Transistor dimmer**

Protection class: IP 20
Material: Polycarbonate, white
Variations: Push on-off or change over switch, 1-pole, other frequencies and types on request

Type	Voltage (V AC)	Current (A)	L x W x H external (mm)	Weight (kg)
PH-DIM250W-60-NWT	230	250 W 60 Hz	81x81x45	0.1
PH-DIM500W-60-NWT	230	500 W 60 Hz	81x81x45	0.1

**Rocker switch flush mounting**

Variations: Change over 2-pole, on-off 2-pole, two or three gang version

Type	IP	Voltage (V AC)	Current (A)	Material	L x W x H external (mm)	Weight (kg)
PH-RSF-16-1.2-WT	IP 44	250	16	Polycarbonate, white	85x85x26	0.1
PH-RSF-16-1.2-NWT	IP 20	250	16	Thermoset, white	81x81x26	0.1

**Concentric socket with central plug-in, 2-pole**

Protection class: IP 56
Material: Polyamide
Variations: Version DK 503 for flush-mounting

Type	Voltage (V DC)	Current (A)	Weight (kg)	Cable Entry
503	50	10	0.3	0-



Concentric plug and coupling
Protection class: IP 56
Material: Polyamide

Type	Voltage (V DC)	Current (A)	Weight (kg)	Remarks
117	50	10	0.2	Plug
122	50	10	0.2	Coupling



Schuko socket flush mounting
Variations: 2-pole + PE, IP 44-version with flip cover, two or three gang version on request

Type	IP	Voltage (V AC)	Current (A)	Material	L x W x H external (mm)	Weight (kg)
PH-SSF-16-WT	IP 44	250	16	Polycarbonate, white	85x85x45	0.1
PH-SSF-16-NWT	IP 20	250	16	Thermoset, white	81x81x26	0.1



Schuko socket surface mounting
Variations: 2-pole + PE, IP 44-version with flip cover, two gang version

Type	IP	Voltage (V AC)	Current (A)	Material	L x W x H external (mm)	Weight (kg)
PH-SSS-16-WT	IP 44	250	16	Polycarbonate, grey	72x82x55	0.1
PH-SSS-16-NWT	IP 20	250	16	Thermoset, white	61x61x41.6	0.1



TV/Radio socket
Protection class: IP 20
Material: Polycarbonate, white

Type	L x W x H external (mm)	Weight (kg)
PH-ANTS-NWT	85x85x45	0.1



Schuko plug
Protection class: IP 44
Material: Thermoplast, grey

Type	Voltage (V AC)	Current (A)	Weight (kg)
10749-ME	250	16	0.1



COMBI MAR Junction box
Protection class: IP 66 / IP 67
Material: Polypropylene, reinforced, seawater-resistant



Type	Voltage (V)	L x W x H external (mm)	Weight (kg)
COMBI MAR 308	400	85x85x51	0.1
COMBI MAR 607	690	110x110x57	0.12
COMBI MAR 1010	690	140x140x72	0.25
COMBI MAR 1210	690	160x140x81	0.29



COMBI MAR Junction box, IP 68 SET
Protection class: IP 68, with an additional two component silicone based gel
Material: Polypropylene, reinforced, seawater-resistant

Type	Voltage (V)	L x W x H external (mm)	Weight (kg)
COMBI MAR 308 IP68	400	85x85x51	0.39
COMBI MAR 607 IP68	690	110x110x57	0.81
COMBI MAR 1010 IP68	690	140x140x72	1.57
COMBI MAR 1210 IP68	690	160x140x81	1.98



Earthing plates for COMBI boxes
Material: Brass

Type	Properties	Weight (kg)	Remarks
EC 308	1x2-pole	0.03	For COMBI MAR 308
EC 607	2x1-pole	0.02	For COMBI MAR 607
EC 1210 BIG Pack	1x2-pole / 1x3-pole	0.03	For COMBI MAR 1210



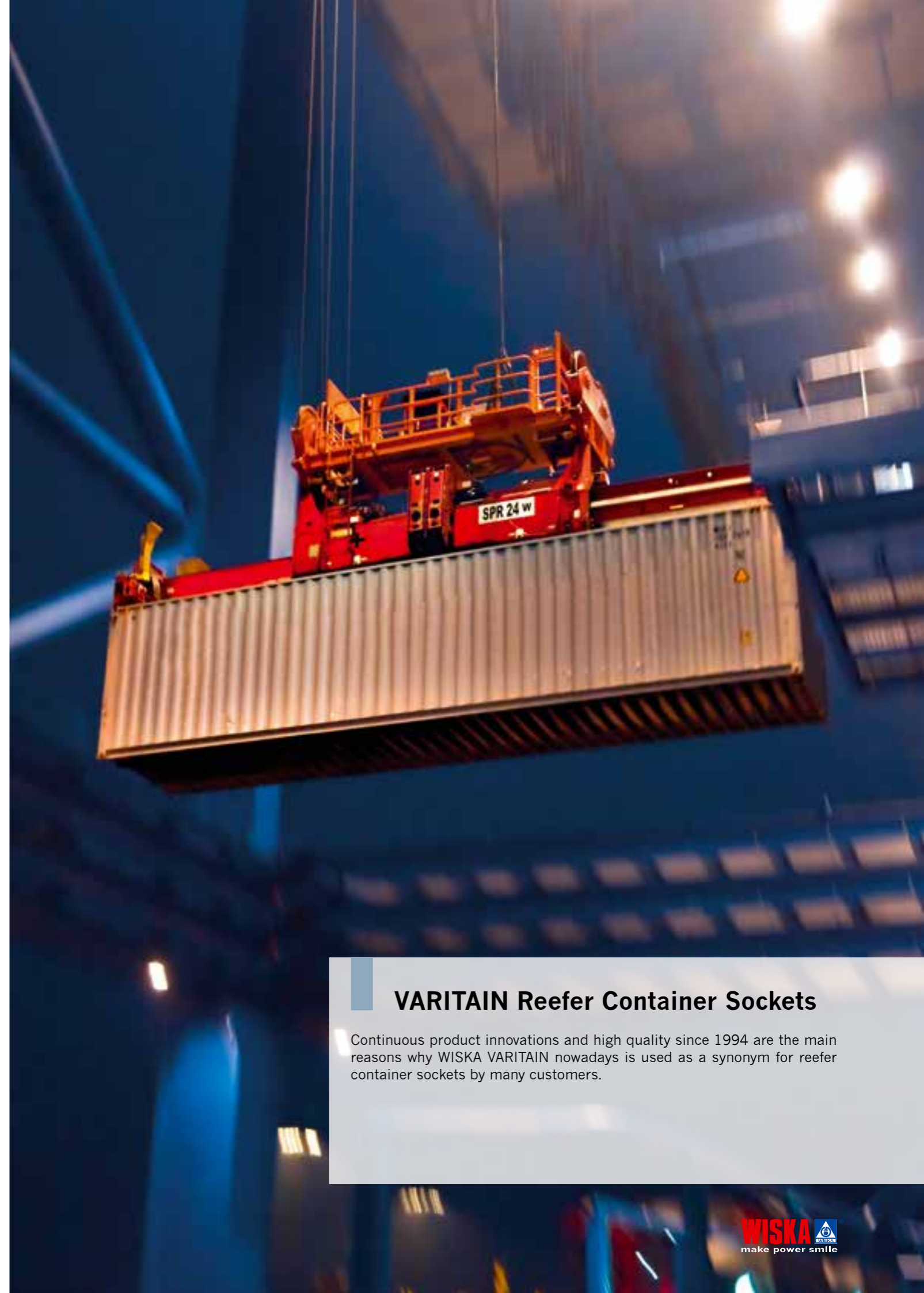
IBS Industry box system

Protection class: IP 66 / 67

Material: Welded stainless steel box, polished or powder coated RAL 9016

Variations: Integrated module holder rails and mounting plates, mounted cable glands, special dimensions and colours on request

Type	L x W x H external, incl. links and cap nuts (mm)	L x W x H internal (mm)	Weight (kg)
IBS-151508	190x156x100	130x130x77	1.4
IBS-301508	340x156x100	280x130x77	2.3
IBS-202008	240x206x100	180x180x77	2.0
IBS-302008	340x206x100	280x180x77	2.7
IBS-402012	440x206x140	380x180x117	4.0
IBS-303012	340x306x140	280x280x117	4.2
IBS-302015	340x206x170	280x180x147	3.6
IBS-403012	440x306x140	380x280x117	5.6
IBS-554012	556x440x140	530x380x117	8.8
IBS-554022	556x440x240	530x380x217	12.2



VARITAIN Reefer Container Sockets

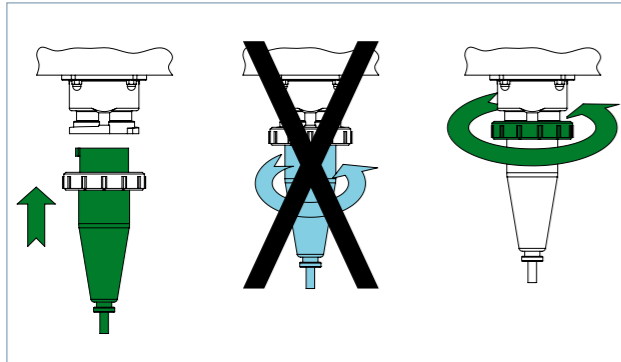
Continuous product innovations and high quality since 1994 are the main reasons why WISKA VARITAIN nowadays is used as a synonym for reefer container sockets by many customers.

Reefer Container Sockets by WISKA

Since the market launch of the first WISKA multiple reefer container sockets in 1994, as one of the leading suppliers worldwide, WISKA has significantly determined their further development by numerous innovations and set new standards again and again.

VARITAIN PushIn Generation

The latest generation of WISKA VARITAIN simplifies the operation of the reefer sockets significantly and thus, enhances the OneTouch Principle in an innovative way. Besides the famous WISKA single-handed operation, VARITAIN PushIn cuts down a separate operation of the circuit breaker and makes replacing spare parts a child's game.



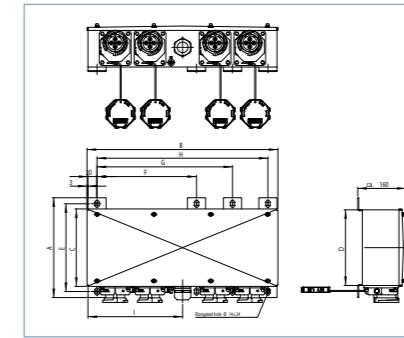
VARITAIN PushIn Principle

- **Unforgettable:** Just push in. The integrated circuit breaker is automatically switched on after plug-in. No separate turn on and off is needed anymore and therefore ensures power supply to the reefer container
- **Safe:** The PushIn technology ensures that voltage is only supplied after plug-in and automatically switched off after plug-out according to ISO 1496-2



VARITAIN PushIn

- Quick & easy: VARITAIN PushIn has one spare part module, which replaces formerly three single ones: Only one component, containing the MCCB circuit breaker, flange and socket insert, needs to be replaced. Replacing spare parts becomes a child's game, even in roughest sea conditions
- No external moving components
- High quality: Specially adjusted WISKA circuit breaker
- One circuit breaker per outlet featuring 10 – 100 kA short-circuit-breaking capacity
- High IP 67 quality
- Made in Germany
- Economic maintenance costs due to extraordinary long service life
- Easy: LED reports the current status
- Long-life: The WISKA VentPLUG pressure compensation unit ensures constant pressure equalization between the interior and exterior and thus, minimizes the risk of condensation water (optional)
- Patent pending
- GL approval



VARITAIN PushIn

Type	A (mm)	B (mm)	C (mm)	D (mm)	E (mm)	F (mm)	G (mm)	H (mm)	I (mm)	Cable Gland
1-gang	330 (380)	271 (371)	256 (306)	250 (300)	290 (340)	-	-	205 (305)	193 (193)	M 40
2-gangs	330 (380)	391 (491)	256 (306)	250 (300)	290 (340)	-	-	325 (425)	193 (193)	M 40
3-gangs	330 (380)	516 (616)	256 (306)	250 (300)	290 (340)	-	-	450 (550)	313 (313)	M 50
4-gangs	330 (380)	631 (731)	256 (306)	250 (300)	290 (340)	· (333)	-	565 (665)	313 (313)	M 50
5-gangs	380 (380)	766 (866)	306 (306)	300 (300)	340 (340)	345 (345)	-	700 (800)	325 (325)	M 63
6-gangs	380 (380)	881 (981)	306 (306)	300 (300)	340 (340)	460 (460)	-	815 (915)	438 (438)	M 63
7-gangs	380 (380)	996 (1096)	306 (306)	300 (300)	340 (340)	460 (460)	-	930 (1030)	438 (438)	M 63
8-gangs	380 (380)	1111 (1211)	306 (306)	300 (300)	340 (340)	575 (347)	· (798)	1045 (1145)	553 (553)	M 63
9-gangs	380 (380)	1226 (1326)	306 (306)	300 (300)	340 (340)	347 (347)	812 (913)	1160 (1260)	553 (553)	M 63
10-gangs	380 (380)	1341 (1441)	306 (306)	300 (300)	340 (340)	462 (462)	927 (913)	1275 (1375)	668 (668)	M 63

(Looping version, with two cable glands)

Please contact us for any tailor-made sizes

PushIn Mobile Splitter

To maximize the capacity of existing reefer container sockets, WISKA offers a safe and easy-to-use mobile splitter. Compared to most conventional mobile solutions, PushIn Mobile Splitter makes sure that the socket is not under power when the plug is inserted or disconnected. It is an internationally standardized CEE socket device compliant with IEC 60309. To underline this product's safety, it has been approved by DNV GL.

Enlargement of reefer capacity at its safest



For your safety - DNV GL approved

PushIn technology from WISKA guarantees you highest safety standards – just like the VARITAIN PushIn reefer container socket from WISKA, the mobile splitter has been approved by DNV GL. Power is only supplied after plug-in and automatically switched off after plug-out – which means the plug cannot get connected or disconnected under power.

More capacity

Modern reefer containers have a reduced power consumption which allows to maximize capacity on container vessels by mobile splitters without changing electrical infrastructure at all.

Quick and easy

PushIn Mobile Splitter does not need any technical installation or material – no extra cables, no fixing material, no laborious setup operations – just a user-friendly installation and assembly set, included in delivery as standard.

Highly flexible

PushIn Mobile Splitter can be installed by the crew wherever you need it – it can easily be moved from one vessel to another.

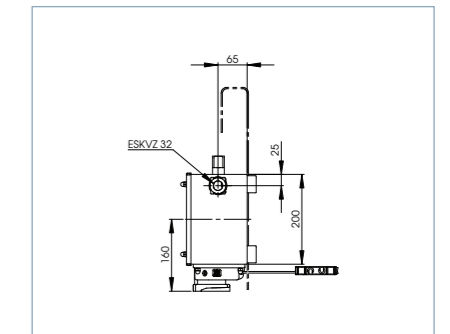
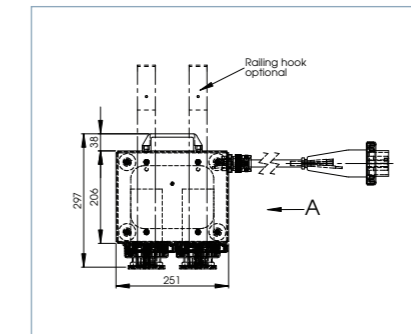
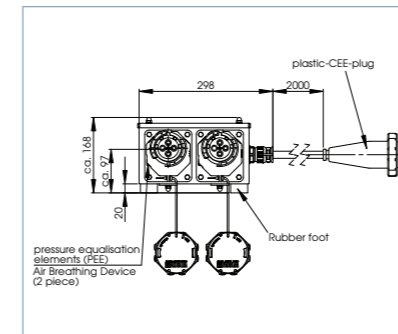
Up-to-date technology

PushIn Mobile Splitter uses the PushIn technology of WISKA – proven successfully a thousands of times on board: Just PushIn.



PushIn Mobile Splitter

- Type:** 2 sockets 32 A, 3 poles +E, 3 h acc. to IEC 60309, both individually fused with a MCCB 25 kA and 20 A
- Operating voltage:** 440 V
- Frequency:** 50 - 60 Hz
- Protection class:** IP 66 / 67
- Temperature range:** -40 °C - 55 °C
- Material:** Casing of 1.4301 stainless steel, both sides powder-coated, colour pure white RAL 9010
- Impact resistance:** IK 10 acc. to EN 50102
- Scope of delivery:** 1 plug 32 A, 3 poles +E, 3 h acc. to IEC 60309-1 (DIN EN 60309-1; VDE 0623-1), IEC 60309-2 (DIN EN 60309-2; VDE 0623-2) cable 6 mm², 2 m cable gland with high strain relief carrier handle easy mountable fixture set





SPRINT Cable Glands

WISKA cable glands are known for their quality, innovative solutions and flexible application. Innovations such as the breathing cable gland VentGLAND® set new standards worldwide. WISKA products are utilised in diverse industrial applications throughout the world.

SPRINT Cable Glands



25 years of WISKA SPRINT

In 2014 WISKA's internationally successful SPRINT cable gland system is celebrating its 25th anniversary. What began with the first SPRINT cable gland a quarter of a century ago, is today a comprehensive system for a wide range of applications. All thanks to the fact that the SPRINT system has been continuously further developed by our in-house research department.

Main features

- Polyamide / EPDM (ESKV), Brass nickel-plated / EPDM (EMSKV), Stainless Steel (ESSKV; 1.4305, 1.4404)
- IP 69K, IP 68, strain relief, vibration-proof
- Standard: EN 50262, UL 514B
- Approvals: VDE, GL, UR-US, UR-CSA, GOST-R
- Only one assembly tool needed, whether using a metal or a polyamide gland
- No difference or reduction in clamping range between metal and polyamide
- All sealing inserts (reduction and multiple) suitable for metal and polyamide glands
- Variations:
 - ESKV and EMSKV series with external strain relief, bend protection, ATEX and IECEx glands, EMC solutions, pressure compensation (VentGLAND®)
 - Threads: metric, maritime metric (MMSKV, M16 - M56, DIN 89280), PG and NPT
 - Standard colours of polyamide RAL 7035, 9005 and 7001, others on request
 - Wide range of accessories

Type	Thread Size (mm)	Thread Length (mm)	Cable Diameter (mm)	Key Width (mm)	Total Length (mm)
ESKV 12	M12x1.5	9	3 - 7	16	29 - 34
ESKV 16	M16x1.5	9	4.5 - 10	20	31 - 37
ESKV 20	M20x1.5	10	6 - 13	24	36 - 45
ESKV 20 PLUS	M20x1.5	10	7.5 - 14	24	36 - 45
ESKV 25	M25x1.5	10	9 - 17	29	38 - 47
ESKV 32	M32x1.5	12	13 - 21	36	42 - 51
ESKV 40	M40x1.5	12	16 - 28	46	52 - 65
ESKV 50	M50x1.5	14	21 - 35	55	59 - 72
ESKV 63	M63x1.5	15	34 - 48	68	64 - 78

Type	Thread Size (mm)	Thread Length (mm)	Cable Diameter (mm)	Key Width (mm)	Total Length (mm)
EMSKV 12	M12x1.5	5	3 - 7	16	23 - 30
EMSKV 16	M16x1.5	5	4.5 - 10	20	26 - 34
EMSKV 20	M20x1.5	6	6 - 13	24	29 - 37
EMSKV 25	M25x1.5	7	9 - 17	29	33 - 42
EMSKV 32	M32x1.5	8	13 - 21	36	36 - 44
EMSKV 40	M40x1.5	8	16 - 28	46	44 - 55
EMSKV 50	M50x1.5	9	21 - 35	55	51 - 62
EMSKV 63	M63x1.5	10	34 - 48	68	56 - 67
EMSKV 75	M75x1.5	12	48 - 62	82	67 - 81

Pressure Equalization



The solution against condensation

With its venting products, WISKA has developed a solution, which follows nature by example. With the help of a breathable ePTFE membrane, which is air permeable and watertight at the same time, constant pressure equalization can occur between the interior and the exterior of the enclosure. Condensation is minimized.

Your advantages

- High-class venting devices for on-deck installations, e. g. multi-purpose luminaires
- Minimized condensation in weather exposed installations on-board, reduction of resulting operating failures and expensive repairs
- No expensive and high maintenance ventilation systems



VentGLAND, SPRINT cable glands, metric, polyamide

Protection class to EN 60 529:

Protection class to DIN 40 050-T9:

Temperature range:

Material:

Colour:

IP 68 to 0.6 bar

IP 69K

-40 °C - 100 °C

Cable Gland: polyamide; Gasket: EPDM;

Membrane: ePTFE

RAL 7035, RAL 9005



Type	Packing Unit	Thread Size (mm)	Thread Length (mm)	Cable Diameter (mm)	Key Width (mm)
ESVG 16	1	M16x1.5	9	4.5 - 10	20
ESVG 20	1	M20x1.5	10	6 - 13	24
ESVG 25	1	M25x1.5	10	9 - 17	29
ESVG 32	1	M32x1.5	12	13 - 21	36
ESVG 40	1	M40x1.5	12	16 - 28	46



VentGLAND, SPRINT cable glands, metric, brass
Protection class to EN 60 529: IP 68 to 0.6 bar
Protection class to DIN 40 050-T9: IP 69K
Temperature range: -40 °C · 100 °C
Material: Cable gland: brass nickel-plated; clamping cage: polyamide; membrane: ePTFE

Type	Packing Unit	Thread Size (mm)	Cable Diameter (mm)	Key Width (mm)
EMSVG 16	1	M16x1.5	4.5 · 10	24
EMSVG 20	1	M20x1.5	6 · 13	24
EMSVG 25	1	M25x1.5	9 · 17	29
EMSVG 32	1	M32x1.5	13 · 21	36
EMSVG 40	1	M40x1.5	16 · 28	46
EMSVG 50	1	M50x1.5	21 · 35	55
EMSVG 63	1	M63x1.5	34 · 48	68



VentPLUG Pressure compensation unit, polyamide
Protection class to EN 60 529: IP 68 to 1.5 bar
Protection class to DIN 40 050-T9: IP 69K
Temperature range: -40 °C · 100 °C
Material: Polyamide, seal: TPE, membrane: ePTFE
Colour: RAL 7035, RAL 9005

Type	Packing Unit	Thread Size (mm)	Key Width (mm)
EVPS 12	10	M12x1.5	16



VentPLUG Pressure compensation unit, High Air Flow, polyamide
Protection class to DIN 40 050-T9: IP 69K
Temperature range: -40 °C · 100 °C
Material: Polyamide, seal: TPE, membrane: ePTFE
Colour: RAL 7035, RAL 9005

Type	Packing Unit	Thread Size (mm)	Key Width (mm)
EVPS 12 HF	10	M12x1.5	16



VentPLUG Pressure compensation unit, brass
Protection class to DIN 40 050-T9: IP 69K
Temperature range: -40 °C · 100 °C
Material: Brass nickel-plated, seal: EPDM, membrane: ePTFE

Type	Packing Unit	Thread Size (mm)	Key Width (mm)
EMVPS 12	10	M12x1.5	16



VentPLUG Pressure compensation unit, High Air Flow, brass
Protection class to DIN 40 050-T9: IP 69K
Temperature range: -40 °C · 100 °C
Material: Brass nickel-plated, seal: EPDM, membrane: ePTFE

Type	Packing Unit	Thread Size (mm)	Key Width (mm)
EMVPS 12 HF	10	M12x1.5	16



CCTV Maritime Camera Surveillance

WISKA CCTV is specialized in maritime computer-controlled digital CCTV solutions for the roughest environmental conditions. Wherever a trouble-free, easy to use and long lasting safety & security system is requested, WISKA CCTV is setting new standards.

CCTV Systems for Maritime Applications

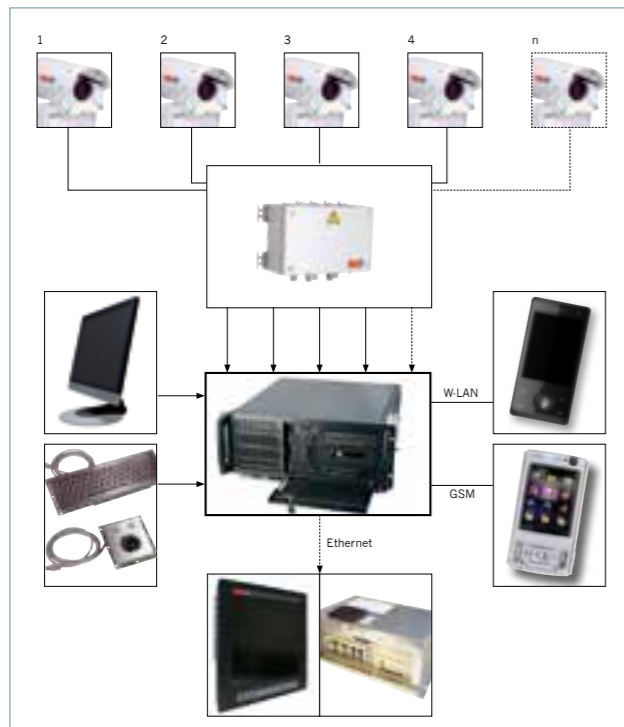
WISKA is one of the leading manufacturers of computer-controlled CCTV systems for commercial shipping and all maritime surroundings. Camera surveillance systems from WISKA have been developed for worldwide use on commercial vessels, passenger ships, offshore platforms as well as in offshore windparks. For every application, we offer custom-made solutions and this way, set new standards in maritime safety and security.

Our CCTV system guarantees extensive and continuous monitoring of safety-relevant areas. Network-based recording ensures that pictures from the cameras may be saved digitally in real time.

WISKA offers analogue, digital and hybrid camera surveillance systems with special functions such as pan & tilt units, wash & wipe and connection to external alarm management systems as well as controlling of our WISKA high-performance searchlights.

Wherever trouble-free, easy to operate and long-life security systems are needed – even under the most adverse conditions – CCTV products from WISKA suit best.

For bringing into service and after-sales service, we provide you with our own service staff. We own worldwide service stations, partly also operated by our subsidiaries, who guarantee you fast response times and uncomplicated processing.



Your advantages

- High-resolution digital CCTV system
- Analogue and hybrid system available on request
- Germanischer Lloyd (GL) certified cameras and system components
- Extreme operating temperatures from -60 °C to 75 °C
- Standard protection class for enclosures of up to IP 68 and IP 69K
- Surface-treated and sea-water resistant enclosures (stainless steel, for example)
- All components are vibration-proof (partly shock tested) and EMC-proven
- Intuitively-to-operate software (Windows-based)
- Alarm management system and motion detection
- Providing interfaces to third systems
- Usage of existing PC and network structures by client software

WISKA CCTV software

Our WISKA CCTV-server-client-mobile software is the heart of our modern CCTV solutions.

SOFTWARE					HARDWARE			APPS	
Full IP	HD 1080p	HD 720p	LAN	+	Sea-water resistant	EMC	0,7g 2,3g	auto-motive	Anti-Piracy
24/7	SSD	I/O	SUS 316	pre-sets	IEC 60945	-40°C +70°C	em-bedded	Thermal Image	High Risk Area
optical zoom	alarm-management	www	NAS Server	analogue	GL Approval	Flame-proof	PTZ	Security	Safety
real-time record	real-time image	motion detection	E-map	WLAN	UV resistant	64 cam server	WISKA multi-cable		
wash wipe	client	digital zoom			IP68 3 bar	PoE	IP 69K		
					COM4 SHIP®				

Key characteristics

- Hybrid use of analogue and network cameras
- Bus-controlled system components – wash & wipe, pan & tilt, zoom, focus, iris and different other camera function(according to product type)
- Real-time surveillance and recording (at the same time)
- Client software for Windows and iOS (stationary or mobile)
- Motion detection
- Alarm management system
- Integration of site plans (editable)
- Intuitive operation

The WISKA COM4SHIP® and CCTV-server-software is the digital video recording system for CCTV cameras. The software for administration of the CCTV systems consists of three independent applications. The CCTV server processes camera pictures, administers user accounts and controls cameras. The second component is used as a client application on laptops and PCs on board: These may be connected to the server and remote controlled within a local network. The mobile application has been developed for mobile devices such as cell phones and tablet PCs allowing to access camera pictures from around the globe using the CCTV mobile software.



Outdoor camera station for marine use - remote pan / tilt

Operation area: Gangway, mooring, navigation
Material: Stainless steel, powder coated
Components: Camera station w/ junction box 5 m pre-wired, remote pan / tilt FL20
Variations: Up-side-down mounting
Temperature range / IP: -30 °C - 55 °C, IP 68
Video resolution: All data at 25 fps



Type	Function	Video Resolution	Power Source
CH-SW260/Q1755/FL20P/WTC	Pan / Tilt / Zoom / Wash / Wipe / Preset	IP- HDTV 1080i	POE / WTC
CH-SW260/Q1755/FL20/WTC	Pan / Tilt / Zoom / Wash / Wipe	IP- HDTV 1080i	POE / WTC
CH-S260/Q1755/FL20P/2020	Pan / Tilt / Zoom / Preset	IP- HDTV 1080i	POE / IBS2020
CH-S260/Q1755/FL20/2020	Pan / Tilt / Zoom	IP- HDTV 1080i	POE / IBS2020
CH-SW260/980/FL20P/WTC	Pan / Tilt / Zoom / Wash / Wipe / Preset	Analogue - SDTV	WTC
CH-SW260/980/FL20/WTC	Pan / Tilt / Zoom / Wash / Wipe	Analogue - SDTV	WTC
CH-S260/980/FL20P/4020	Pan / Tilt / Zoom / Preset	Analogue - SDTV	IBS4020
CH-S260/980/FL20/4020	Pan / Tilt / Zoom	Analogue - SDTV	IBS4020



Outdoor camera station full StSt for marine use - remote pan / tilt

Operation area: Gangway, mooring, navigation
Material: Stainless steel, powder coated
Components: Camera station w/ junction box, 5 m pre-wired, remote pan / tilt FL5 (stainless steel)
Temperature range: -30 °C - 55 °C, IP 68
Video resolution: All data at 25 fps

Type	Function	Video Resolution	Power Source
CH-S240/ZN-M2/FL5	Pan / Tilt / Zoom / Preset	IP - HDTV 1080p	POE / IBS2020
CH-S240/980/FL5	Pan / Tilt / Zoom / Preset	Analogue - SDTV	IBS4020



Outdoor camera station for marine use - manual pan / tilt

Operation area: Gangway, mooring, navigation
Material: Stainless steel, powder coated
Components: Camera station w/ junction box, 5 m pre-wired, manual pan / tilt D300AS
Variations: Up-side-down mounting
Temperature range / IP: -30 °C - 55 °C, IP 68
Video resolution: All data at 25 fps



Type	Function	Video Resolution	Power Source
CH-SW260/Q1755/D300AS/WTC	Swivel / Zoom / Wash / Wipe	IP- HDTV 1080i	POE / WTC
CH-S260/Q1755/D300AS/2020	Swivel / Zoom	IP- HDTV 1080i	POE / IBS2020
CH-SW260/980/D300AS/WTC	Swivel / Zoom / Wash / Wipe	Analogue - SDTV	WTC
CH-S260/980/D300AS/4020	Swivel / Zoom	Analogue - SDTV	IBS4020



Outdoor camera station full StSt for marine use - manual pan / tilt

Operation area: Gangway, mooring, navigation
Material: Stainless steel, powder coated
Components: Camera station w/ junction box, 5 m pre-wired, manual pan / tilt D200AS
Temperature range: -30 °C - 55 °C, IP 68
Video resolution: All data at 25 fps

Type	Function	Video Resolution	Approval
CH-S240/ZN-M2/D200AS	Swivel / Zoom	IP - HDTV 1080p	POE / IBS2020
CH-S240/980/D200AS	Swivel / Zoom	Analogue - SDTV	IBS4020



Outdoor compact camera station for marine use - manual adjustable

Operation area: Gangway, winch, work area
Material: Seawater resistant aluminium, anodized
Components: Camera station w/ junction box, 10 m pre-wired and stainless steel bracket
Variations: Magnetic base
Temperature range / IP: -60 °C - 75 °C, IP 68 / IP 69K
Video resolution: All data at 25 fps



Type	Angle of View (H)	Video Resolution	Power Source
MC3020A/OS1000	20 °, mono focal	Analogue 320K pixel	IBS1515
MC3040A/OS1000	40 °, mono focal	Analogue 320K pixel	IBS1515
MC3070A/OS1000	70 °, mono focal	Analogue 320K pixel	IBS1515
MC3090A/OS1000	90 °, mono focal	Analogue 320K pixel	IBS1515
MC3100A/OS1000	100 °, mono focal	Analogue 320K pixel	IBS1515
MC3115A/OS1000	115 °, mono focal	Analogue 320K pixel	IBS1515



Dome camera for marine use - fix

Operation area: Gangway, mooring, navigation
Material: PCB / polycarbonate
Temperature range: -30 °C - 55 °C, IP 68
Video resolution: All data at 25 fps

Type	Angle of View (H)	Video Resolution	Power Source
D11/VC2MP/POE/IN	70 °	IP - HDTV 1080p	POE
D11/VC2MP/OUT	70 °	IP - HDTV 1080p	IBS1515
D11/1200TVL/IN	58 °	Analogue SDTV	IBS1515
D11/1200TVL/OUT	58 °	Analogue SDTV	IBS1515



Indoor dome camera for marine use - remote pan / tilt

Operation area: Accommodation, E/R, ECR
Material: Aluminium, powder coated
Components: Camera station w/ junction box, without junction box up to 200 m cable
Variations: Internal mounting
Temperature range / IP: 0 °C - 55 °C, IP 66
Video resolution: All data at 25 fps



Type	Function / Angle of View (H)	Video Resolution	Power Source
D16-2/PTZ/1515	Pan / Tilt / Zoom / Preset	Analogue - SDTV	IBS1515



Outdoor thermal full IP network camera station for marine use - remote pan / tilt

Operation area: Gangway, mooring, navigation
Material: Stainless steel, powder coated
Components: Uncooled micro bolometer
Variations: Up-side-down mounting
Temperature range / IP: -30 °C · 55 °C, IP 68

Type	Function	Detection Size: 2.3 x 2.3 m (m)	Lens (mm) / Angle of View (H)
CH-T260/Q19xx-10/FL20P/4020	Pan / Tilt / Zoom / Preset	515	10 / 55 °
CH-T260/Q19xx-19/FL20P/4020	Pan / Tilt / Zoom / Preset	950	19 / 29 °
CH-T260/Q19xx-35/FL20P/4020	Pan / Tilt / Zoom / Preset	1,760	35 / 15 °
CH-T260/Q19xx-60/FL20P/4020	Pan / Tilt / Zoom / Preset	3,020	60 / 9 °
CH-T260/Q19xx-10/FL20/4020	Pan / Tilt / Zoom	515	10 / 55 °
CH-T260/Q19xx-19/FL20/4020	Pan / Tilt / Zoom	950	19 / 29 °
CH-T260/Q19xx-35/FL20/4020	Pan / Tilt / Zoom	1,760	35 / 15 °
CH-T350/Q19xx-60/FL20/4020	Pan / Tilt / Zoom	3,020	60 / 9 °



Outdoor thermal full IP network camera station for marine use - manual pan / tilt

Operation area: Gangway, mooring, navigation
Material: Stainless steel, powder coated
Components: Uncooled micro bolometer
Variations: Up-side-down mounting
Temperature range / IP: -30 °C · 55 °C, IP 68

Type	Function	Detection Size: 2.3 x 2.3 m (m)	Lens (mm) / Angle of View (H)
CH-T260/Q19xx-10/4020	Swivel / Zoom	515	10 / 55 °
CH-T260/Q19xx-19/4020	Swivel / Zoom	950	19 / 29 °
CH-T260/Q19xx-35/4020	Swivel / Zoom	1,760	35 / 15 °
CH-S350/Q19xx-60/4020	Swivel / Zoom	3,020	60 / 9 °



Ex outdoor PTZ flame proof camera station Zone 1 (ATEX)

Operation area: Zone 1, flame proof "d"
Material: Stainless steel, powder coated
Temperature range / IP: -30 °C · 55 °C, IP 68
Option*: Wash

Type	Function	Video Resolution	Approval
CS-EXD/980/WIPE	Pan / Tilt / Zoom / Wipe / Preset	Analogue · SDTV	IECEX
CS-EXD/980	Pan / Tilt / Zoom / Preset	Analogue · SDTV	IECEX
CS-EXD/ZN-M2/WIPE	Pan / Tilt / Zoom / Wipe / Preset	IP · HDTV 1080p	IECEX
CS-EXD/ZN-M2	Pan / Tilt / Zoom / Preset	IP · HDTV 1080p	IECEX



Ex Outdoor flame proof camera station Zone 1 - manual pan / tilt

Operation area: Zone 1, flame proof, IP 6x (ATEX)
Material: Stainless steel, powder coated
Components: Camera station w/ wiper manual pan / tilt D300AS, 5 m pre-wired cable
Variations: Up-side-down mounting
Temperature range / IP: -30 °C · 55 °C, IP 66 / IP 68

Type	Function	Video Resolution	Approval
CH-EX260/xxx	Swivel / Zoom / Wipe	Analogue · SDTV	IECEX / ATEX
CH-EX260/w/D300AS	Swivel / Zoom	Analogue · SDTV	IECEX / ATEX
CH-EX260/Q1755/D300AS	Swivel / Zoom (opt. 12x) / Wipe	IP · HDTV 1080i	IECEX / ATEX
CH-EX260/ZN-M2/D300AS	Swivel / Zoom (opt. 5x)	IP · HDTV 1080i	IECEX / ATEX



Ex Outdoor compact camera station Zone 2 - manual adjustable

Operation area: Zone 2, II3G Ex nR II T6, II3D Ex tD A22 IP 65 T80°C
Material: Seawater resistant aluminium, anodized
Components: Stainless steel bracket, adjustable
Variations: Up-side-down mounting
Temperature range / IP: -60 °C · 75 °C, IP 69K
Video resolution: All data at 25 fps

Type	Angle of View (H)	Video Resolution	Cable (m)
MC3100A/OS20000	100 °, mono focal	Analogue 320K pixel	20 m w/plug
MC3100A/OS40000	100 °, mono focal	Analogue 320K pixel	40 m w/plug



Wash water tank & junction boxes for camera station

Operation area: All camera stations
Material: Stainless steel, powder coated
Variations: Integrated wash water tank
Temperature range / IP: -30 °C · 55 °C, IP 67
 IP for wash water housing: IP 56

Type	Function	For Camera Station
WTC	Combined junction box and 10 l wash water tank	CH-SW/xx
IBS4020	Junction box, 5 m cable pre-wired	CH-S/xx
IBS2020	Junction box, 5 m cable pre-wired	CH-S/xx
IBS1515	Junction box, 5 m cable pre-wired	CH-S/xx, D16, MCxx



CCTV Server and work station

Operation: Monitoring, recording, control, alarm
Brands: First choice industrial components
Video Components: 24/7 and automotive, shock and vibration protected
Operating System (OS): WINDOWS®
Temperature range / IP: 0 °C · 55 °C, IP 22

Type	Function	Type Approval
COM4SHIP II - server	Monitoring, recording, control, alarm, network	Acc. to GL
CLIENT4SHIP	Monitoring, recording, control, alarm, network	Acc. to GL
HP-client	Monitoring, recording, control, alarm, network	GL - IEC 60945

All Server and client computer with latest processor technology. Hard- and software project customized



CCTV TFT monitor

Brands: First choice industrial components
Mounting Variations: Console, desk-top-bolt, ceiling and wall mounting
Temperature range: 0 °C · 55 °C
Option: Touch screen

Type	Function	Type Approval
TFT17/HD/CONSOLE/IEC60945	17" TFT, VGA and DVI, zero dimming	GL - IEC 60945
TFT19/HD/CONSOLE/IEC60945	19" TFT, VGA and DVI, zero dimming	GL - IEC 60945
TFT24/HD/CONSOLE/IEC60945	24" TFT, VGA and DVI, zero dimming	GL - IEC 60945
TFT19/HP/DH/Desk	19" TFT VGA and DVI	none
TFT23/HP/DH/Desk	23" TFT VGA and DVI	none



Keyboard and trackball

Properties: Vandal-proof, IP 65
Mounting Variation: Console mounting only
Ports: USB or PS/2

Type	Function	Key / Ball diam. (mm)	Material
RCU/012/AL/TRACKBALL	Keyboard and trackball combination	12 / 38	Aluminium
RCU/009/AL/TRACKBALL	Keyboard and trackball combination	9 / 38	Aluminium
KEYBOARD/CONSOLE/BLACK/US/Trackball/USB	Keyboard and trackball combination	65 / 38	Stainless steel



Network-bus RS485/422 full duplex remote control unit

Operation: Searchlight, camera and its combination
Technology: Bus, VISCA PPP, RS485/422, Ethernet
Features: Joystick 8-way bi-direction control, device selection, presets, Illuminated keys, dimmable to zero, zoom, wash / wipe
Temperature range / IP: -20 °C · 55 °C

Type	Function	Devices	Mounting
RCU200	Full searchlight and camera control	up to 7 devices	Desk top

The WISKA range of products



CCTV: Maritime Camera Surveillance

Digital CCTV technology
 Safety and Security Systems



Maritime Lighting & Electrical Equipment

Searchlights and Signalling Searchlights
 Pan and tilt units
 Floodlights and lighting fixtures
 Installation material of plastic, aluminium, brass and stainless steel

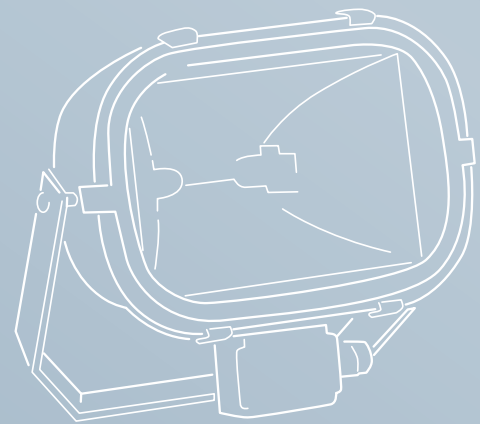
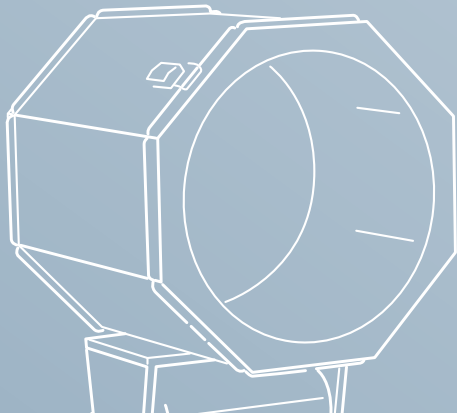
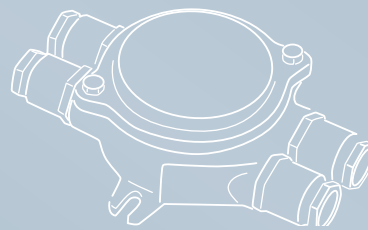
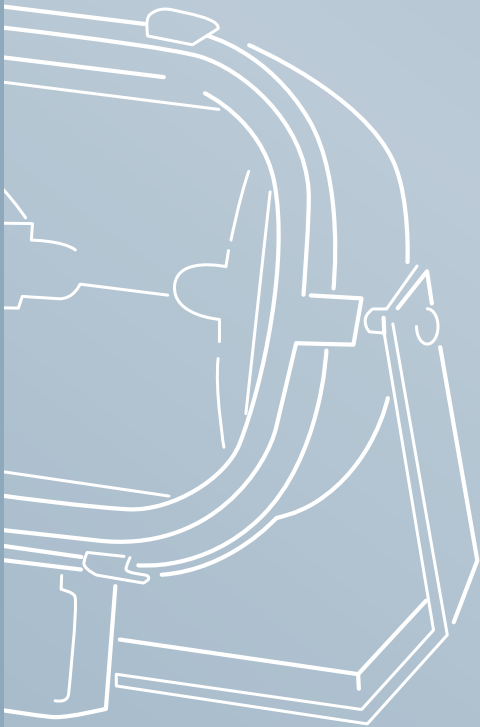
- HNA material
- Junction boxes, Switches, Sockets

 EX Lighting
 EX Junction Boxes, EX Switches, EX Sockets
 Reefer Container Sockets
 CEE devices



Cable Glands & Junction Boxes

Standard glands / accessories
 Special glands (EMC, EX, Pressure compensation, Hygienic Design) / accessories
 Maritime glands acc. to DIN 89280
 Boxes



WISKA Hoppmann & Mulsow GmbH

Kisdorfer Weg 28
24568 Kaltenkirchen
Germany

☎ +49-4191-508-0
☎ +49-4191-508-209

contact@wiska.de
www.wiska.com

